

Utility Flood, UFB-Gen3

LED Flood / Area Lighting

Project:	
Catalog#:	
Approved by:	



Features

The driver compartment is secured with thumbscrews for easy access to the driver, surge suppressor, and terminal block. The optical compartment is IP66 rated to prevent the ingress of water. An optional glare-shield is available. This flood offers factory set options for input power at nominal 10W increments, that gives the installer a wide range of output settings to meet the required wattage, lumen output, and lumens per watt. This allows for customization of the product to meet jobsite needs.

Optical

- IP66 rated optics enclosure
- Glass lens
- Standard 4000K CCT
- Min 70 CRI
- Type 6x6 NEMA distribution
- Optional field-installed glare shield (Order UFB3-GS)

Description

The UFB3 is an LED energy-saving, cost-effective solution to replace 250 and 400 watt HID (HPS & MH) flood lights.

Construction

- Heavy duty die-cast aluminum housing
- Durable powder coat finish
- Corrosion resistant (stainless steel) hardware
- Thumb-screw entry
- Three (3) station terminal block that accepts 14 to 6 AWG
- Pre-wired with a 7.5ft, 14/3 SJTW cord with 6 in. outer jacket removed and conductors stripped to ½ in.
- Wrap-around yoke or slip-fitter
- IP66 rated
- Self-cleaning heat sink

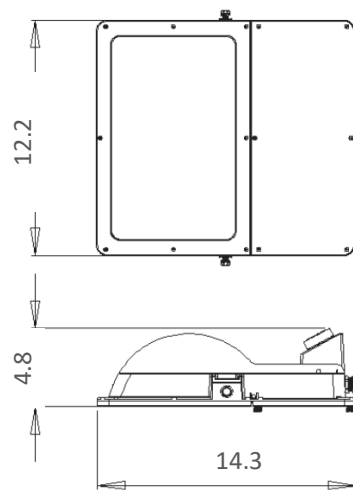
Electrical

- Driver power factor is > 0.9
- Driver THD < 20%
- Driver voltage 120-277V (50/60Hz), or 347-480V (50/60Hz)
- 0-10V dimming with 7-pin photo control receptacle
- Electronic driver has an expected life of 100,000 hours at 25°C ambient.
- NEMA 7-pin twist lock photo control receptacle standard
- 20kV/10kA surge protection standard (meets or exceeds ANSI/ IEEEC62.41)
- Suitable for ambient temperatures from -40°C to +40°C
- Reported L90 >36,000 hours per IESNA TM-21

Options

- Slip-fitter with external wiring
- Long-Life photocontrol
- Shorting cap
- Glare shield

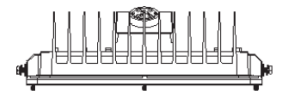
Dimensions



Weight: 15lbs

EPA 90° from nadir: 1.7

EPA 0° from nadir: 1.1



Utility Flood, UFB-Gen3

LED Flood / Area Lighting

Project:	
Catalog#:	
Approved by:	

Ordering Information								
Model	Driver	Optics	CCT	Mounting	Housing Color	Programmed Nominal Power	Controls	Factory Set Options
UFB3	--	6	--	--	--	P--	--	----
UFB3: LED Utility Flood - Gen3	MD: 120-277V w/ 0-10V DIM HD: 347-480V w/ 0-10V DIM ML: DALI 120-277V	6: Type 6x6	3: 3000K 4: 4000K	Y: Large Yoke w/external cord S¹: 2"-3" Tenon Slip Fitter Knuckle w/ internal wiring E: 2"-3" Tenon Slip Fitter Knuckle w/ external cord	B: Bronze G: Gray	Pxx: Programmed Nominal Input Power, Define xx (06-20) 06: 60W to 20:200W *20kV/10kA standard **7 Pin Photocontrol Receptacle standard	N: No Controls S: Shorting Cap 1: Black long-life, fail-on photocontrol 2: Black long-life, fail-off photocontrol 3: Green long-life, fail-on photocontrol 4: Green long-life, fail-off photocontrol	(Blank): No Options A#: Adjustable Output Unit define# (1-8)

¹ Not available with HD driver option

Performance Data

Model	Factory Set Option	Nominal Luminaire Wattage (W)	HID Replacements (HPS: High Pressure Sodium, MV: Mercury Vapor, MH: Metal Halide)	Lumen Output (±5% typical value)			
				3000K CCT		4000K CCT	
				Standard	w/ shield	Standard	w/ shield
UFB3 Series	P06	60	150W HPS, 175W MH	9,500	8,400	10,000	8,800
	P07	70		10,900	9,600	11,500	10,100
	P08	80	200W HPS, 250W MV/MH	12,400	10,900	13,000	11,500
	P09	90		13,800	12,200	14,500	12,800
	P10	100	250W HPS/MH	15,100	13,300	15,900	14,000
	P11	110		16,500	14,600	17,400	15,400
	P12	120	310W HPS	17,900	15,800	18,800	16,600
	P13	130		19,100	16,900	20,100	17,700
	P14	140	400W MV	20,400	18,000	21,400	18,900
	P15	150		21,700	19,100	22,800	20,100
	P16	160	400W HPS/MH	22,800	20,100	24,000	21,200
	P17	170		24,100	21,300	25,300	22,300
	P18	180		25,200	22,200	26,500	23,400
P19	190	25,900		22,850	27,250	24,050	
P20	200	26,600		23,500	28,000	24,700	

Utility Flood, UFB-Gen3

LED Flood / Area Lighting

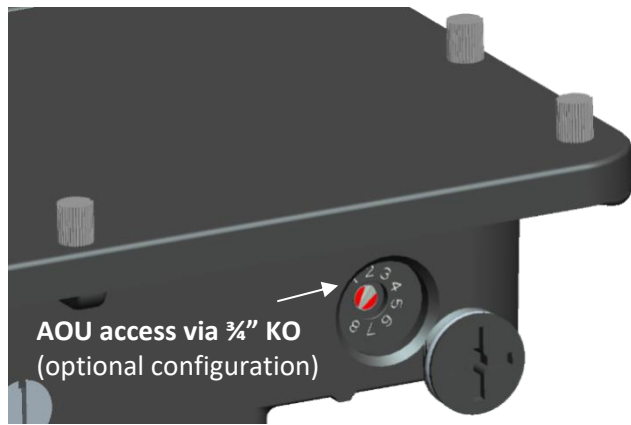
Project:	
Catalog#:	
Approved by:	

Adjustable Output Unit (optional, add suffix "A#" to a model)

AOU is used to lower the fixture's light output and wattage. It can be easily adjusted with a flat-blade screwdriver. **In all UFB3 fixtures with the option of the "AOU", the AOU is accessible via the 3/8" KO plug on the bottom of the fixture for quick access.** The unit consumes no standby power and can be removed to convert the luminaire to standard 0-10V dimming. This allows maintenance departments to carry less inventory through reduced number of unique models. The unit can be utilized to achieve lumen efficacy as high as 165LPW.



Base Model	AOU Position	System Watts (W)	HID Replacements (HPS: High Pressure Sodium, MV: Mercury Vapor, MH: Metal Halide)	Lumen Output (±5% typical value)			
				3000K CCT		4000K CCT	
				Standard	w/ shield	Standard	w/ shield
P18	8	180	400W HPS/MH	25,200	22,200	26,500	23,400
	7	157		22,400	19,700	23,500	20,800
	6	139	400W MV	20,300	17,900	21,300	18,800
	5	122	310W HPS	18,100	16,000	19,000	16,800
	4	104	250W HPS/MH	15,800	13,900	16,600	14,600
	3	88	200W HPS, 250W MV/MH	13,400	11,800	14,000	12,400
	2	71	150W HPS, 175W MH	11,100	9,800	11,700	10,300
	1	55		8,700	7,700	9,200	8,100



AOU is accessible via the 3/8" KO plug on the bottom of the fixture for quick access. Picture shown with plug removed.

Accessory Ordering code

- UFB3-GS-BR for Bronze Glare Shield
- UFB3-GS-GY for Gray Glare Shield



Glare shield mounted on a fixture